

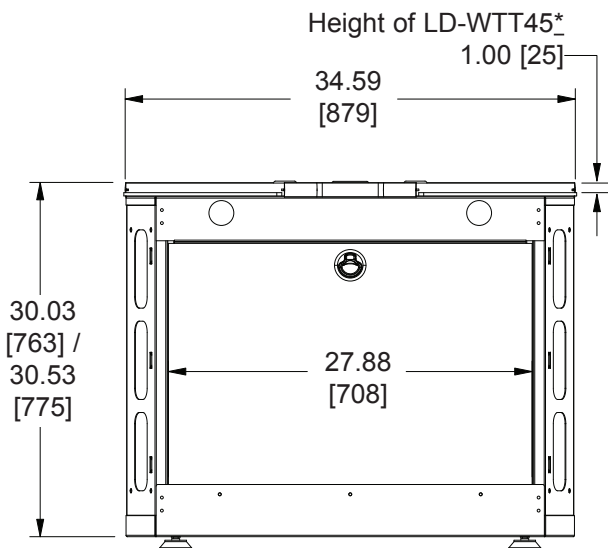
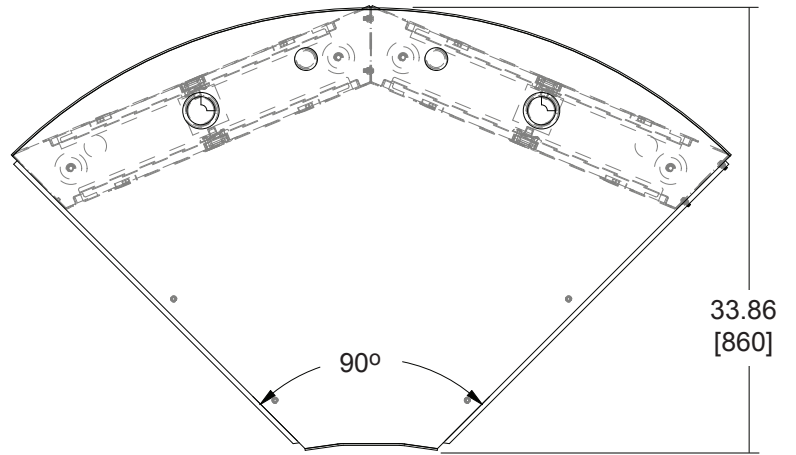
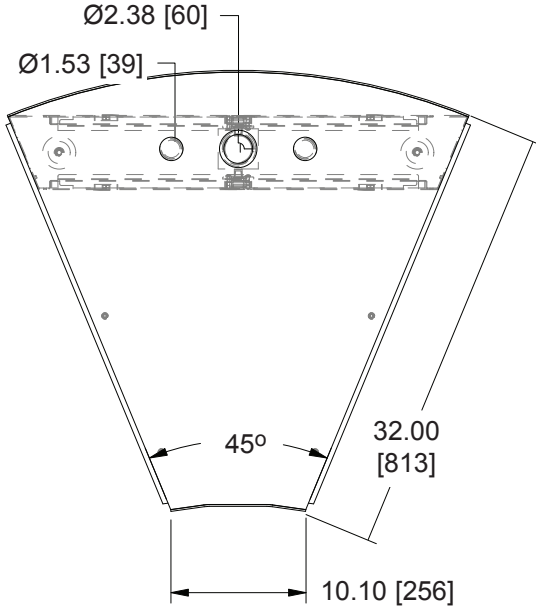
LD Series Wedge basic dimensions

All dimensions in inches [Bracketed dimensions in millimeters]

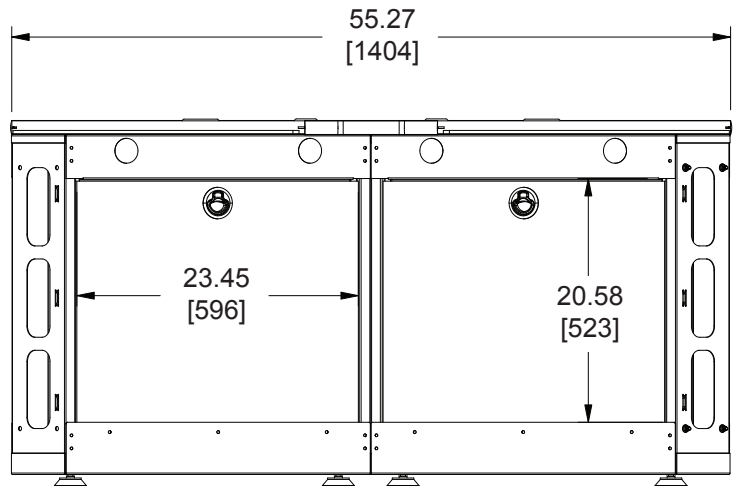
In order to join LD-1230* side rack to LD wedges, the LD-WK joiner kit is required.

WITH CABLE MANAGEMENT CABINET	WITHOUT CABLE MANAGEMENT CABINET	ANGLE
LD-W4530 *	LD-WTT4530 *	45°
LD-W9030 *	-	90°

* When ordering suffix part number with desired color (DC = Dark Cherry, HM = Honey Maple, PS = Pepperstone)



LD-W4530*



LD-W9030*

