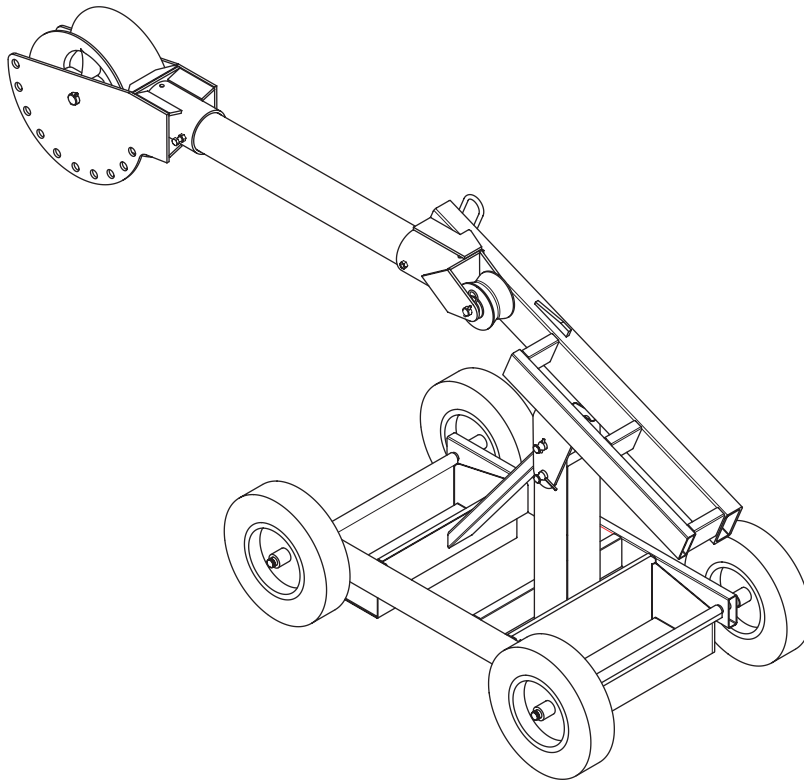


INSTRUCTION MANUAL



11147

Ultra Tugger[®] Adapter Package for use with Greenlee 640 and 6001



Read and understand all of the instructions and safety information in this manual before operating or servicing this tool.

Table of Contents

Description	2
Safety	2
Purpose of this Manual	2
Important Safety Information	3-4
Identification—Boom Mount Adapter	5
Specifications	5
Identification—Versi-Boom Components	6
Setup	
Wheeled Carriage	7
Mounting Components	8-10
Typical Setups	11-12
Exploded View and Parts List— Boom Mount Adapter	13
Accessories	
Nose Unit	14
Elbow Unit	15
Couplers	16
Boom Tube	16
T-Stand	17
Wheeled Carriage	17

Description

The Greenlee 640 Tugger and 6001 Super Tugger that you own, can now attach to the same wheeled carriage that the Ultra Tugger cable puller uses.

The Ultra Tugger 640/6001 Adapter Package comes pre-assembled. All you need to do is add your cable puller and you'll be pulling cable faster and easier, with no more anchors to set or chains to mount.

Safety

Safety is essential in the use and maintenance of Greenlee tools and equipment. This manual and any markings on the tool provide information for avoiding hazards and unsafe practices related to the use of this tool. Observe all of the safety information provided.

Purpose of this Manual

This manual is intended to familiarize all personnel with the safe operation and maintenance procedures for the following Greenlee tool:

11147 Ultra Tugger Adapter Package

Keep this manual available to all personnel.

Replacement manuals are available upon request at no charge at www.greenlee.com.

All specifications are nominal and may change as design improvements occur. Greenlee Textron Inc. shall not be liable for damages resulting from misapplication or misuse of its products.

Tugger, Super Tugger and Ultra Tugger are registered trademarks of Greenlee Textron Inc.

KEEP THIS MANUAL

IMPORTANT SAFETY INFORMATION



SAFETY ALERT SYMBOL

This symbol is used to call your attention to hazards or unsafe practices which could result in an injury or property damage. The signal word, defined below, indicates the severity of the hazard. The message after the signal word provides information for preventing or avoiding the hazard.

⚠ DANGER

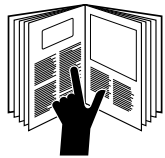
Immediate hazards which, if not avoided, **WILL** result in severe injury or death.

⚠ WARNING

Hazards which, if not avoided, **COULD** result in severe injury or death.

⚠ CAUTION

Hazards or unsafe practices which, if not avoided, **MAY** result in injury or property damage.



⚠ WARNING

Read and understand all of the instructions and safety information in this manual and your cable puller manual, before operating or servicing this tool.

Failure to observe this warning could result in severe injury or death.

⚠ WARNING

Rope, cable, or a connecting device can break under tension, causing the rope to whip violently.

- Do not allow any unnecessary personnel to remain in the area during the pull.
- Do not allow any personnel to stand in line with the pulling rope.

Failure to observe these warnings could result in severe injury or death.

⚠ WARNING

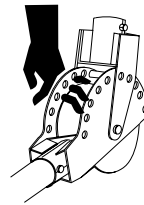


Tangle Hazard:

Do not wrap rope around hands, arms, waist or other body parts. Do not stand in spent coils or tailed rope. Hold rope so that it may be released quickly.

Failure to observe this warning could result in severe injury or death.

⚠ WARNING



Shear Point:

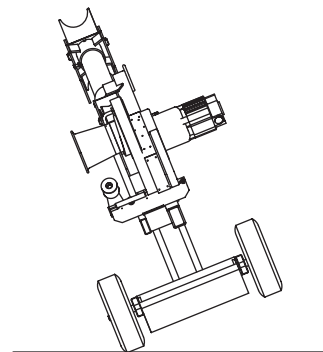
Do not put fingers through holes in elbow unit. Rotating parts could cut off fingers.

Failure to observe this warning could result in severe injury or death.

⚠ WARNING

When using the wheeled carriage to transport the Versi-Boom™:

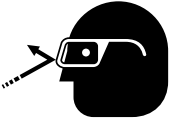
- Keep personnel out of the path of transport.
- Evaluate the terrain of over which the carriage is to move. If in doubt, obtain additional help and move the carriage slowly.
- Do not transport over inclines of more than 15°.
- Do not transport the carriage with boom tubes longer than the supplied 3' and 4' tubes.




Failure to observe this warning, could result in severe injury or death.


Note: Keep all decals clean and legible, and replace when necessary.

IMPORTANT SAFETY INFORMATION

	⚠ WARNING
	<p>Flying Debris Hazard: Wear eye protection when using this tool. Failure to wear eye protection could result in severe eye injury from flying debris.</p>

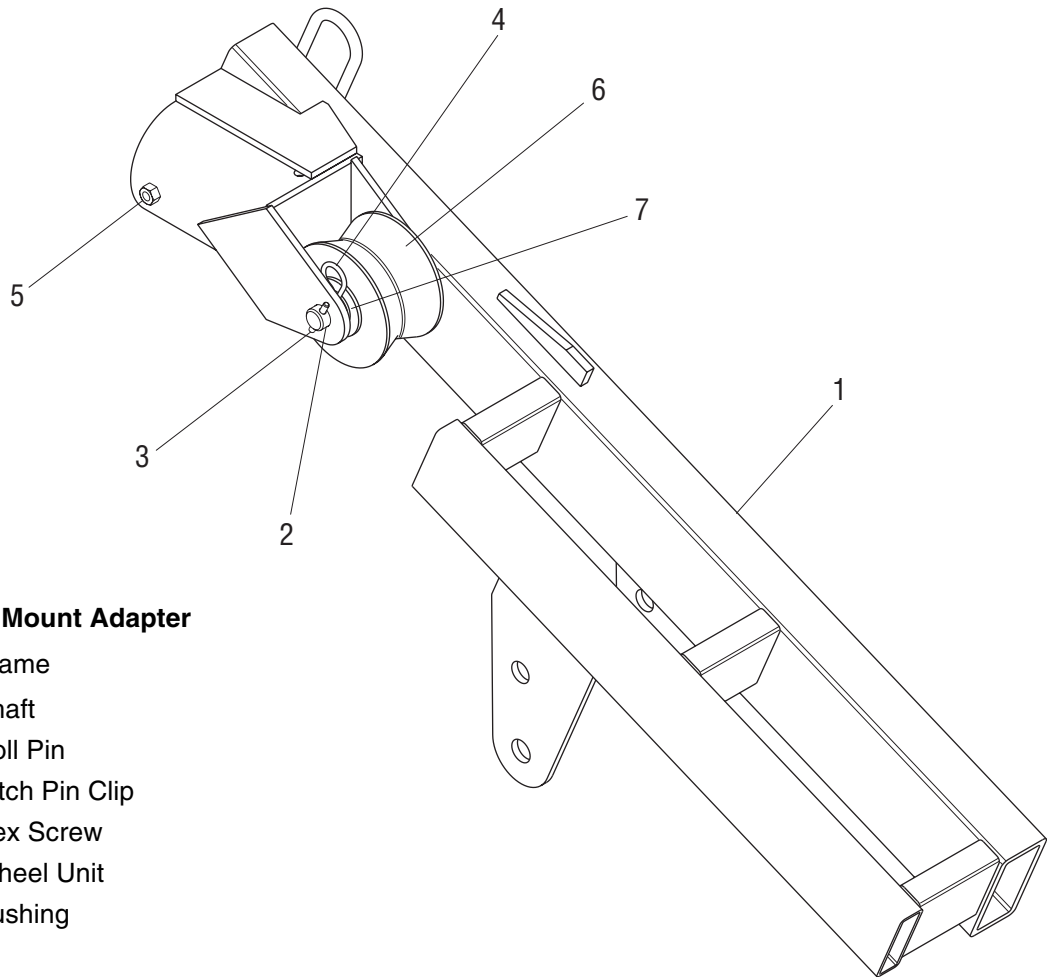
	⚠ WARNING
	<p>Falling Object Hazard: Do not stand directly under a vertical pull. Cable could fall suddenly from the conduit. Failure to observe this warning could result in severe injury or death.</p>

⚠ WARNING
<p>For use only with Greenlee Model 640 and 6001 cable pullers. Use with other pullers may result in insecure mounting and improper rope alignment. Failure to observe this warning could result in severe injury or death.</p>

	⚠ WARNING
	<p>Inspect and verify the maximum load-bearing capacity or maximum strength of all structural supports, pulling system components and anchoring systems before setting up the puller. Any component that cannot withstand the maximum cable-pulling forces could break and strike nearby personnel with sufficient force to cause severe injury or death.</p>

Identification—Boom Mount Adapter

501 1145.0



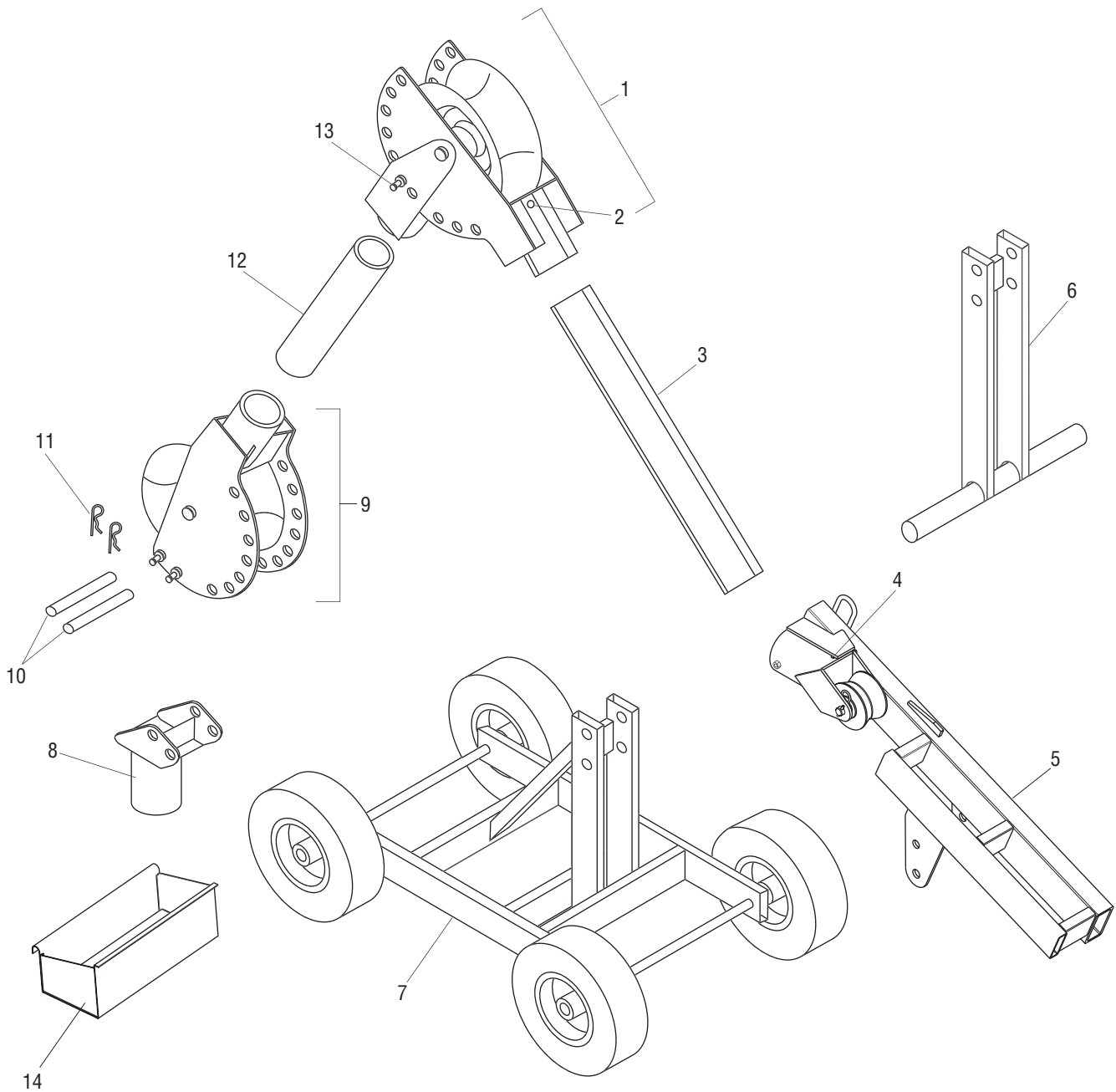
Boom Mount Adapter

- 1. Frame
- 2. Shaft
- 3. Roll Pin
- 4. Hitch Pin Clip
- 5. Hex Screw
- 6. Wheel Unit
- 7. Bushing

Specifications

Weight	20.4 kg (45 lb)
Length	94 cm (37 in)
Width	18 cm (7 in)
Height	30 cm (12 in)
Use with: Greenlee 640 and 6001 Cable Pullers only	
Load Rating	6500 lb

Identification—Versi-Boom



Versi-Boom Components

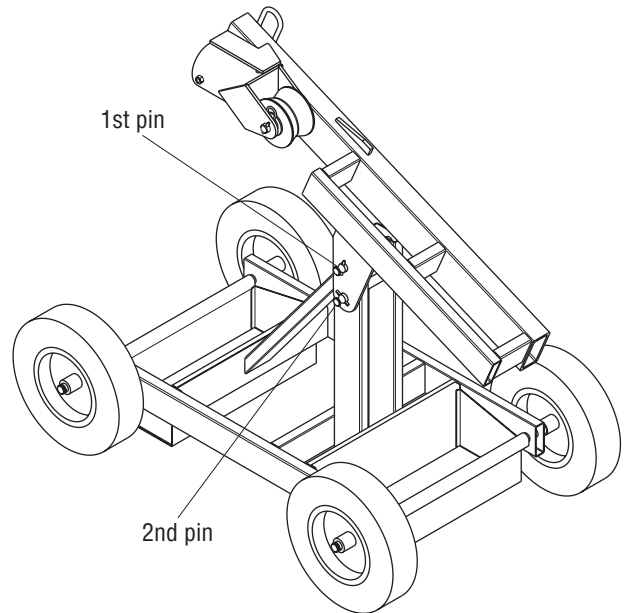
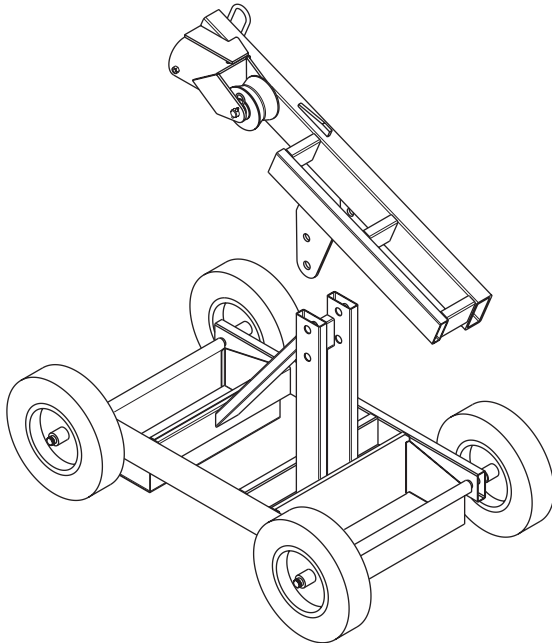
- | | |
|--------------------------|-----------------------------|
| 1. Elbow Unit (optional) | 8. Slip-in Coupler |
| 2. Sight Hole | 9. Nose Unit |
| 3. 4' Boom Tube | 10. Mounting Pins |
| 4. Sight Hole | 11. Hitch Pin Clips |
| 5. Boom Mount Adapter | 12. 3' Boom Tube (optional) |
| 6. T-Stand (optional) | 13. Long Pin |
| 7. Wheeled Carriage | 14. Tray |

Setup

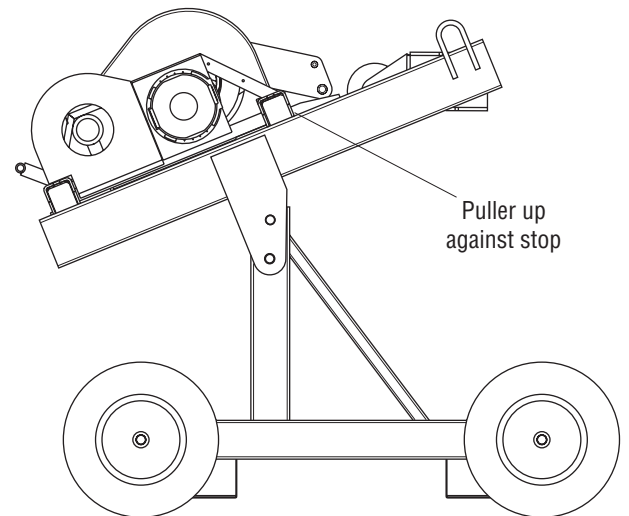
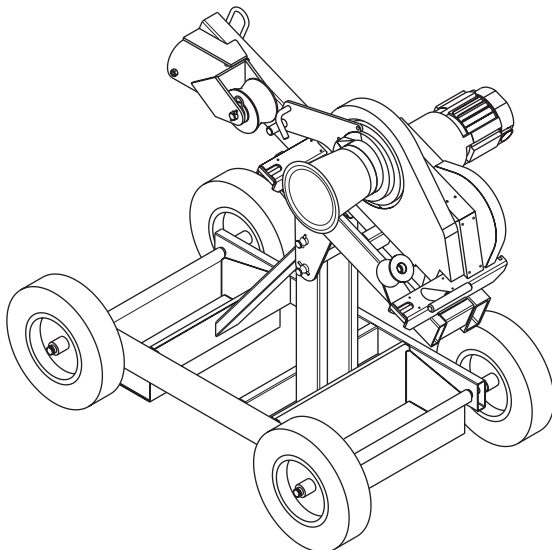
Wheeled Carriage

Requires: Adequate clearance. See Typical Setups Illustrated.

1. Mount the boom mount to the wheeled carriage. Align the boom mount holes with the top holes in the wheeled carriage, as illustrated. Install a pin through the top hole in the boom mount and wheeled carriage. Secure the pin with a hitch pin clip. Place a second pin in the lower hole.



2. Set puller on boom mount frame so that the puller mounting feet sit inside the frame opening, between the two side rails. Slide the puller up against the stop and chain it down securely.



▲ WARNING

For use only with Greenlee Model 640 and 6001 cable pullers.

Use with other pullers may result in insecure mounting and improper rope alignment.

Failure to observe this warning could result in severe injury or death.

Setup (cont'd)

Mounting Components

Boom with Nose Unit

⚠ WARNING

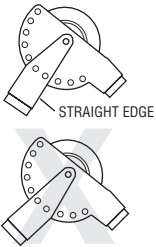
- Use only straight 3" diameter rigid steel conduit or Schedule 40 steel pipe for the boom tubes.
- Do not use boom tubes longer than 3 meters (10'). Longer booms may bend or break.

Failure to observe this warning could result in severe injury or death.

⚠ WARNING

Set up the elbow unit as shown. Improper setup will cause the elbow unit to collapse.

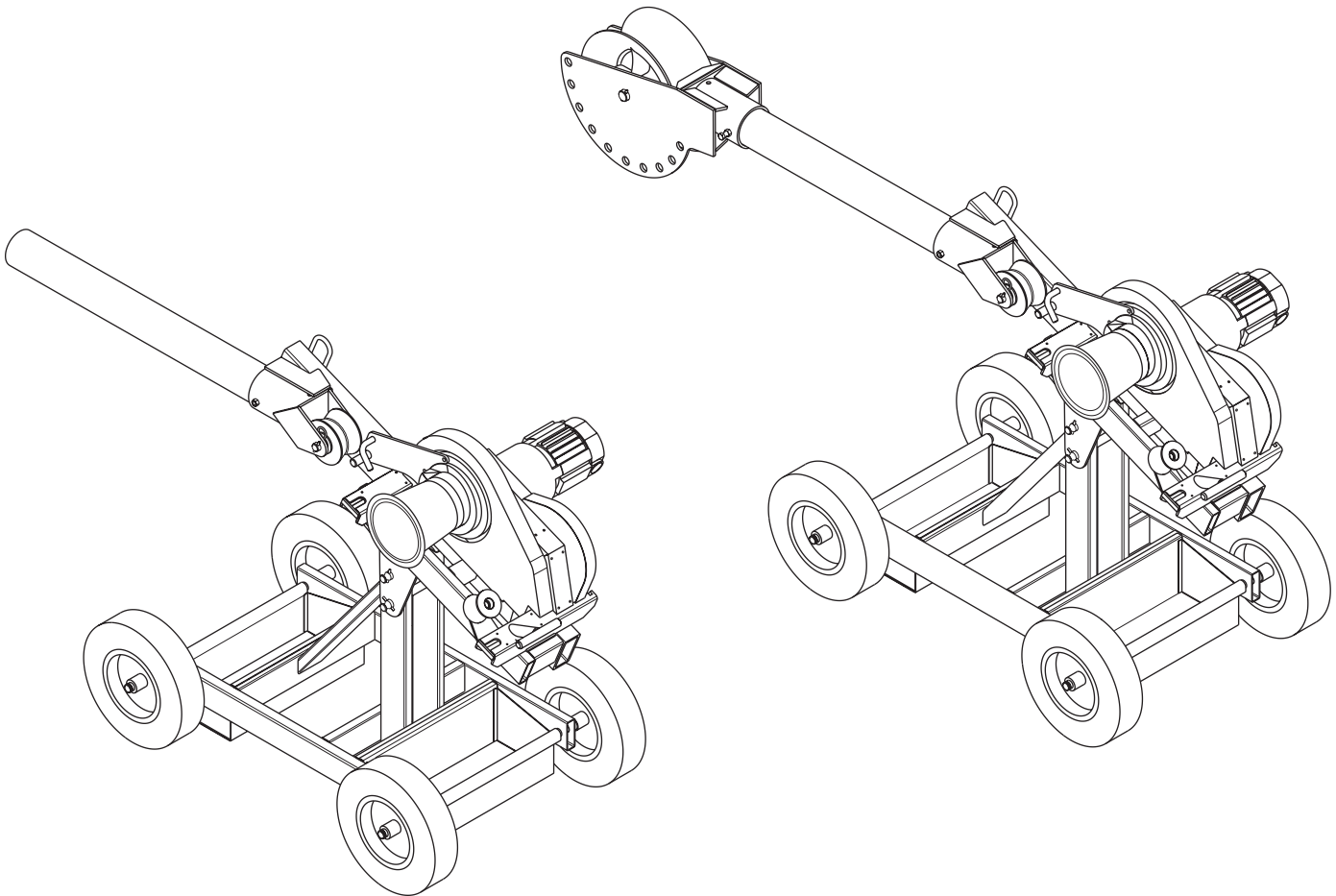
Failure to observe this warning could result in severe injury or death.



Use these boom tubes only:

- boom tubes supplied with the Versi-boom
- 3" rigid steel conduit (3 meters or 10 feet maximum)
- 3" schedule 40 pipe (3 meters or 10 feet maximum)

1. Slide the boom tube into the boom mount until the tube bottoms out. Sight the tube through the sight hole to be sure the tube is fully inserted. Tighten the set screw.
2. Slide the nose unit onto the tube until the tube bottoms out. Sight the tube through the sight hole to be sure the tube is fully inserted. Tighten the set screw.



Setup (cont'd)

Mounting Components (cont'd)

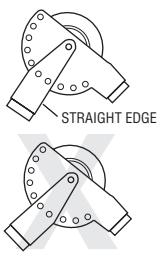
Booms with Elbow Unit and Nose Unit

⚠ WARNING

- Use only straight 3" diameter rigid steel conduit or Schedule 40 steel pipe for the boom tubes.
- Do not use boom tubes longer than 3 meters (10'). Longer booms may bend or break.

Failure to observe this warning could result in severe injury or death.

⚠ WARNING



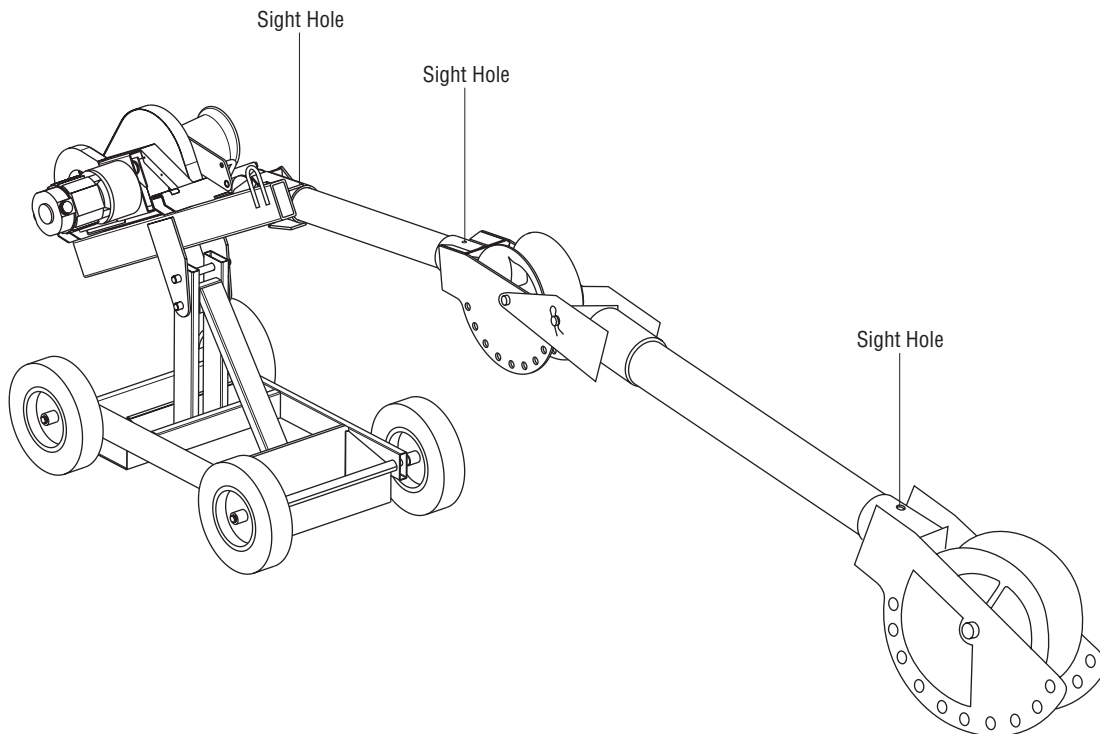
Set up the elbow unit as shown. Improper setup will cause the elbow unit to collapse.

Failure to observe this warning could result in severe injury or death.

Use these boom tubes only:

- boom tubes supplied with the Versi-boom
- 3" rigid steel conduit (3 meters or 10 feet maximum)
- 3" schedule 40 pipe (3 meters or 10 feet maximum)

1. Slide the boom tube into the boom mount until the tube bottoms out. Sight the tube through the sight hole to be sure the tube is fully inserted. Tighten the set screw.
2. Slide the elbow unit onto the tube until the tube bottoms out. Sight the tube through the sight hole to be sure the tube is fully inserted. Tighten the set screw.
3. Adjust the elbow to an appropriate angle and lock it in place with a pin. Secure the pin with a hitch pin clip.
4. Slide the boom tube into the elbow unit until the tube bottoms out. Sight the tube through the sight hole to be sure the tube is fully inserted. Tighten the set screw.
5. Slide the nose unit onto the tube until the tube bottoms out. Sight the tube through the sight hole to be sure the tube is fully inserted. Tighten the set screw.



Setup (cont'd)

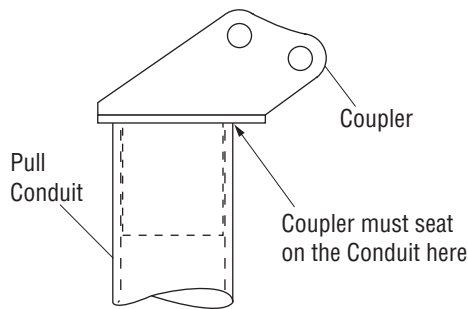
Mounting Components (cont'd)

Slip-in Coupler

Requires: One pin to connect to Nose Unit

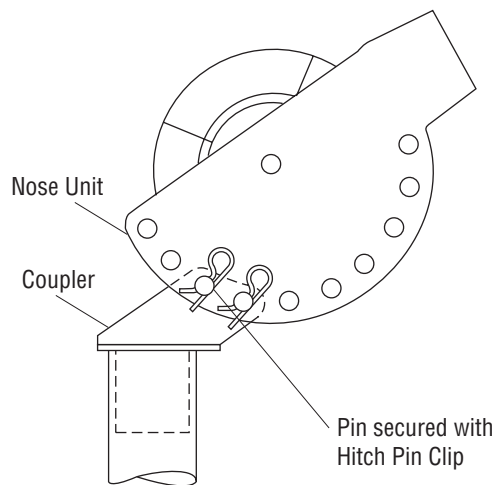
1. Select the coupler that best fits the conduit.
2. Slide the coupler into the conduit until the coupler seats on the end of the conduit.

Note: If the coupler doesn't seat on the conduit, see Straddling the Conduit with a Slip-In Coupler.



3. Slide the nose unit over the coupler. Align any set of holes and insert one pin. Secure the pin with a hitch pin clip.

Note: If possible, add a second pin and hitch pin clip.

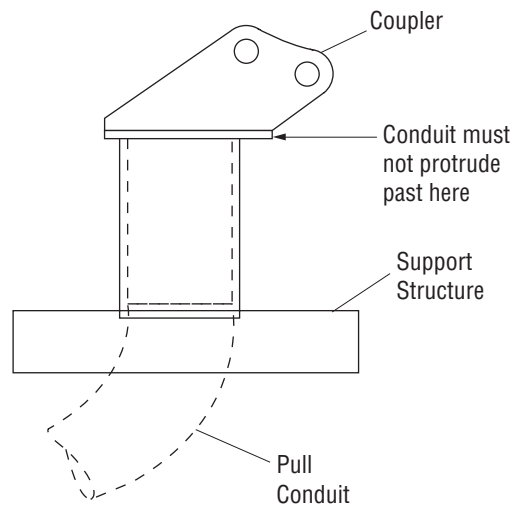


Straddling the Conduit with Slip-in Coupler

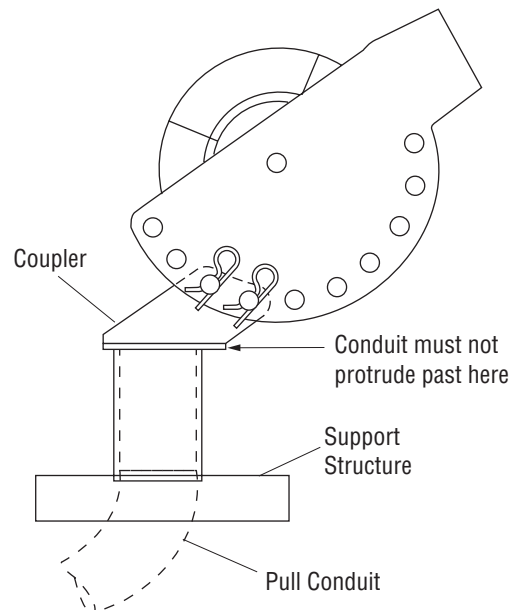
Requires: Two pins to connect to Nose Unit

1. Select a coupler at least 25 mm (1") larger than the conduit.
2. Place the coupler over the conduit.

Note: Do not use this method if the coupler does not seat on a support structure that can support 35.6 kN (8000 lb) of force.



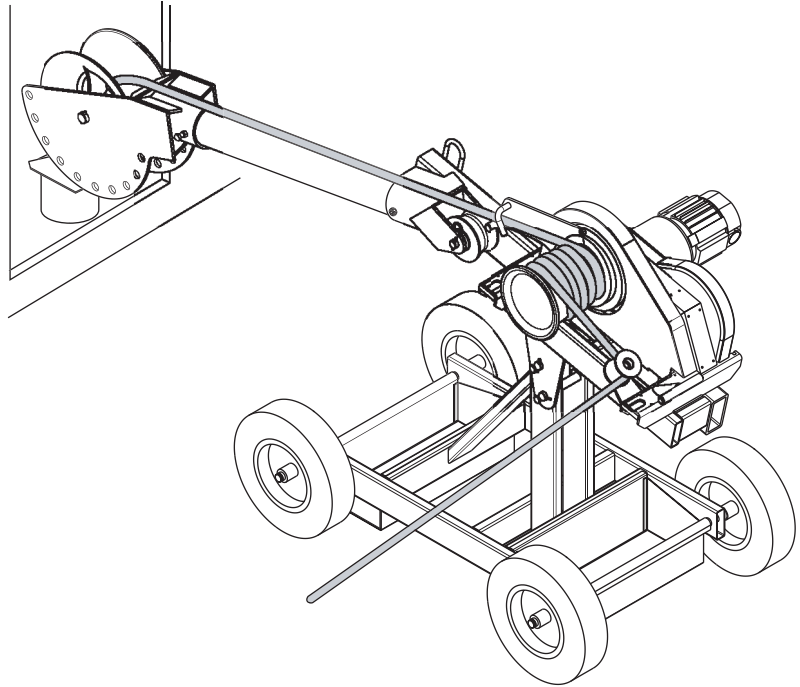
3. Slide the nose unit over the coupler. Align any two sets of holes and insert two pins. Secure the pins with hitch pin clips.



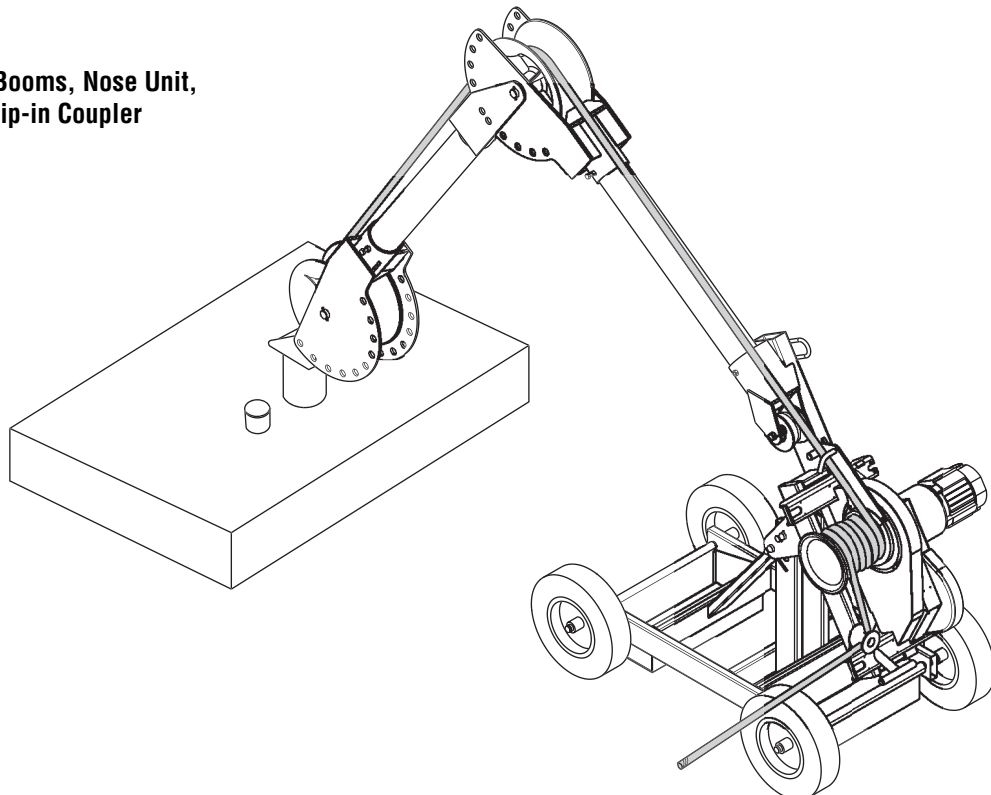
Typical Setups

Setups are shown without force gauge. Place the force gauge so the operator has an unobstructed view of the meter and quick access to its ON/OFF switch.

**Pulling Up Using One Boom,
Nose Unit and Slip-in Coupler**



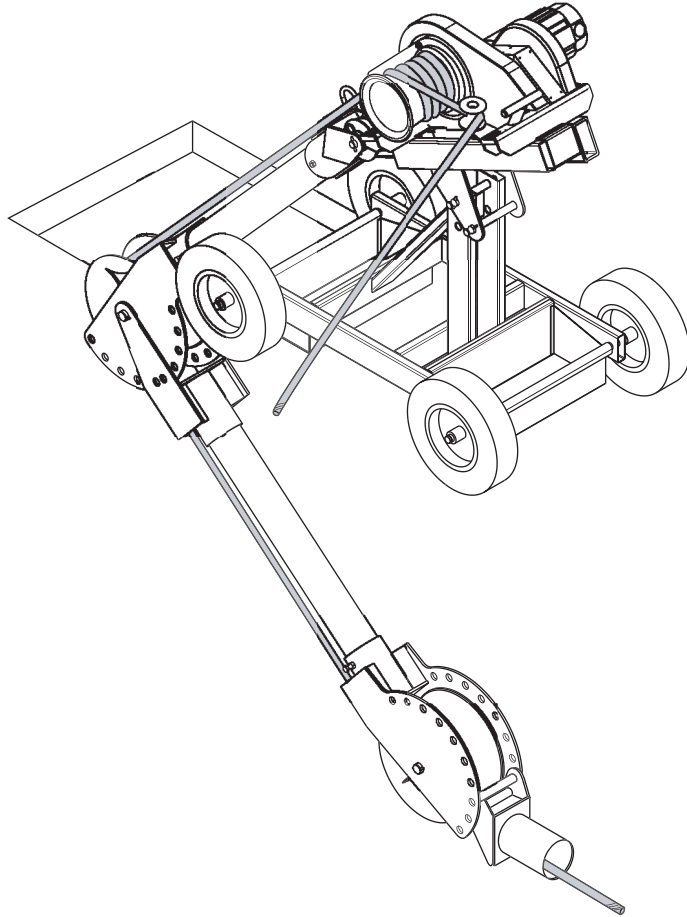
**Pulling Up Using Two Booms, Nose Unit,
Elbow Unit and Slip-in Coupler**



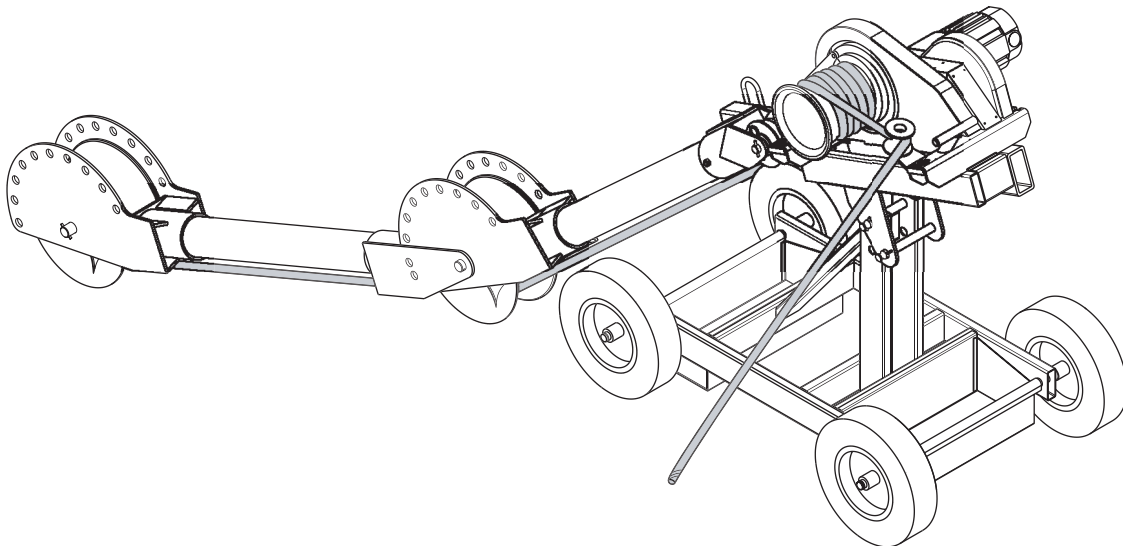
Typical Setups (cont'd)

Setups are shown without force gauge. Place the force gauge so the operator has an unobstructed view of the meter and quick access to its ON/OFF switch.

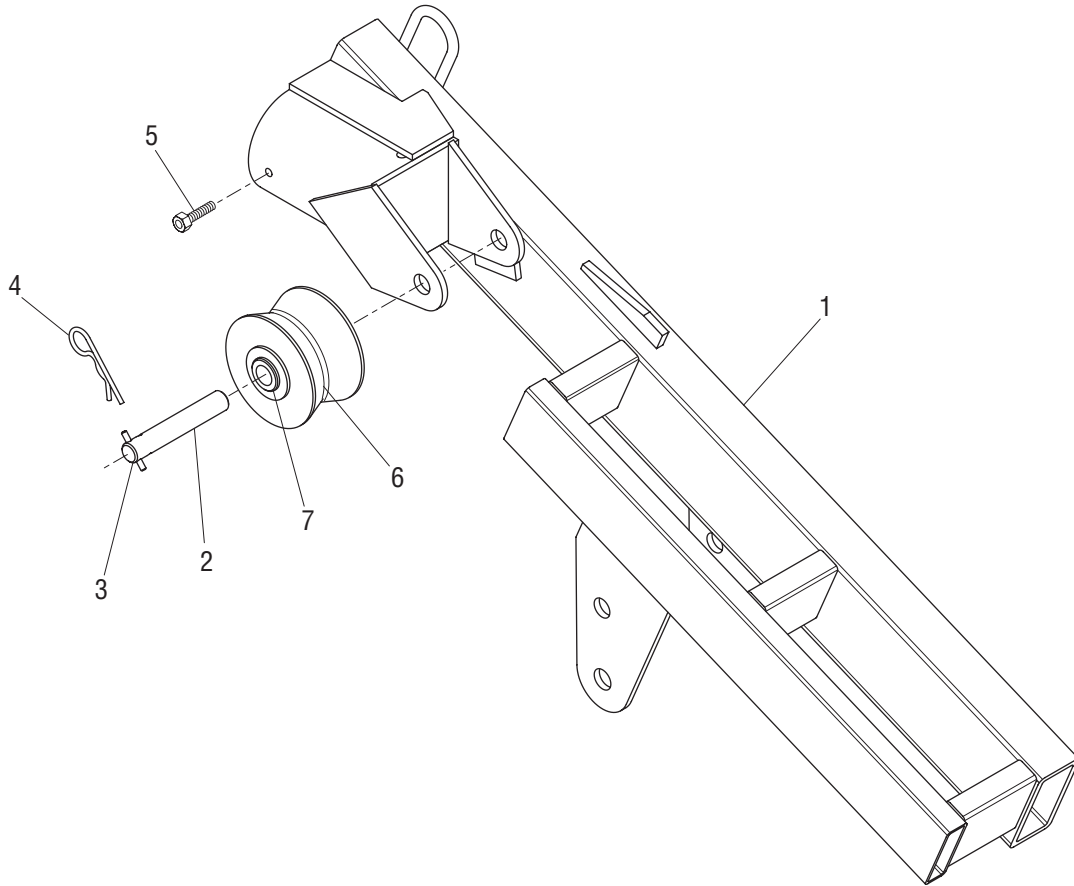
**Pulling Horizontally in Manhole
Using Two Booms, Nose Unit,
Elbow Unit and Slip-in Coupler**



**Pulling Horizontally in Manhole
Using Two Booms, Nose Unit,
Elbow Unit and Slip-in Coupler**



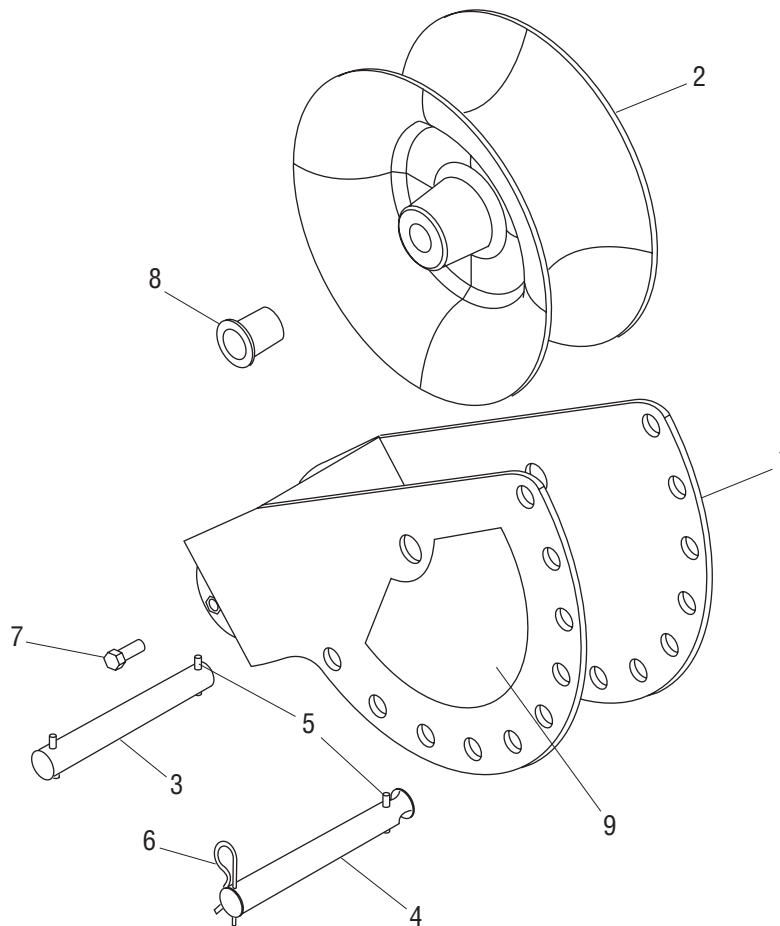
Exploded View and Parts List—Boom Mount Adapter



Key	Part No.	Description	Qty
1	500 2839.1	Frame	1
2	500 0755.6	Shaft	1
3	905 0700.2	Pin, roll, .187 x 1.5"	1
4	905 0302.3	Clip, hitch pin	1
5	905 0530.1	Screw, 3/8-16 x 1, hex.....	1
6	500 0920.6	Wheel unit	1
7	501 6798.7	Bushing	2

Accessories

Nose Unit (500 0864.1)



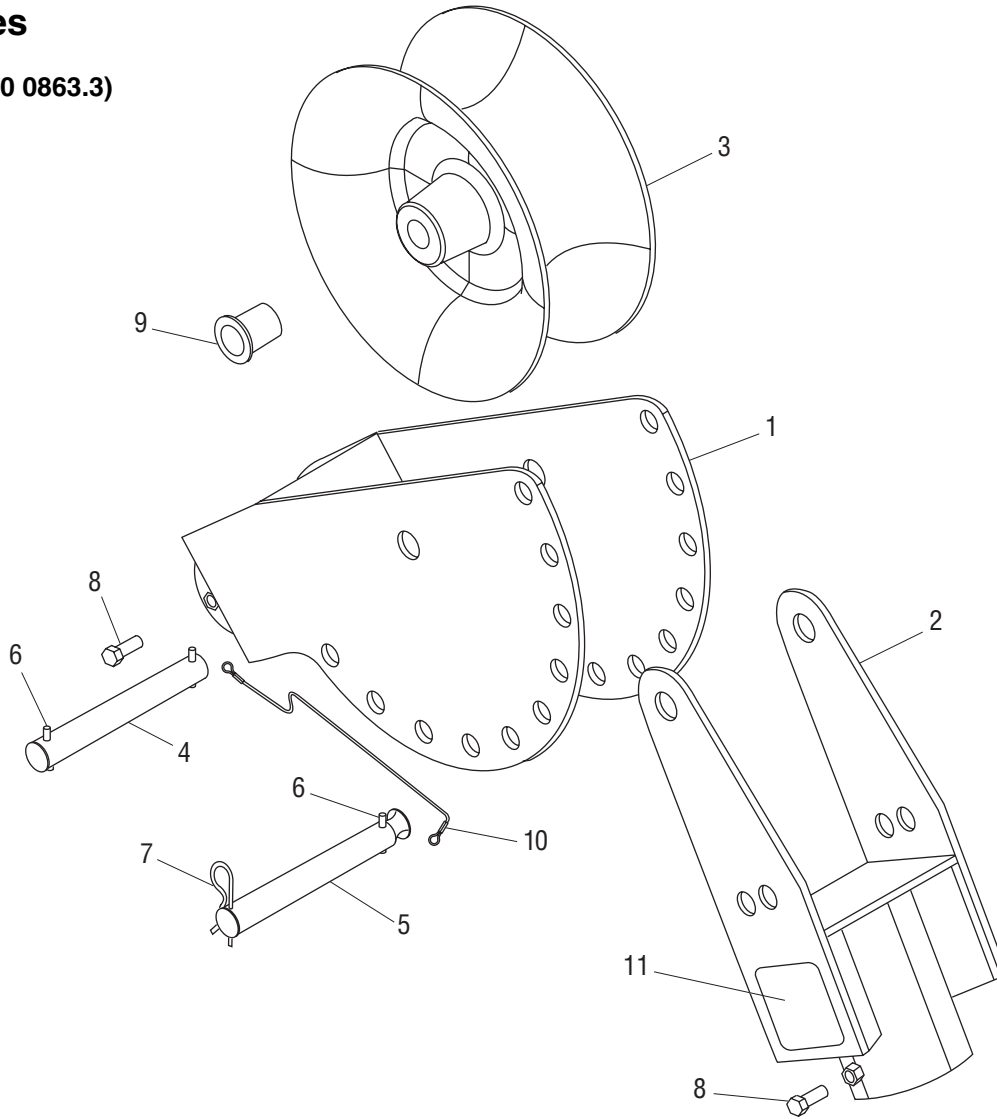
Key	Part No.	Description	Qty
1	500 0832.3	Elbow, adjustable	1
2	500 0843.9	Sheave unit, 12"	1
3	500 0790.4	Shaft, elbow	1
4	500 0743.2	Puller pin	1
5*	905 0700.2	Pin, roll, .187 x 1.50"	3
6*	905 0302.3	Clip, hitch pin #8	1
7	905 0530.1	Screw, cap, 3/8 – 16 x 1.000" hex head	1
8	905 4838.8	Bushing	2
9	500 1042.5	Decal, Warning	1

Repair Kit

*	500 6188.7	Kit, puller pin (includes one each of the items marked with an asterisk)	2
	500 6192.5	Kit, elbow shaft (includes one of item 3 and two of item 5)	2

Accessories

Elbow Unit (500 0863.3)



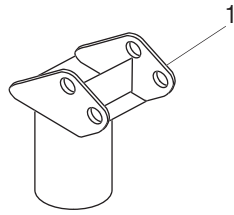
Key	Part No.	Description	Qty
1	500 0832.3	Elbow, adjustable	1
2	500 0828.5	Elbow, pivot	1
3	500 0843.9	Sheave unit, 12"	1
4	500 0836.6	Shaft, pivot	1
5*	500 0837.4	Pin, elbow	1
6*	905 0700.2	Pin, roll, .187 x 1.50"	3
7*	905 0302.3	Clip, hitch pin #8	1
8	905 0530.1	Screw, cap, 3/8 – 16 x 1.000" hex head	2
9	905 4838.8	Bushing	2
10	500 1397.1	Lanyard	1
11	500 1032.8	Decal, warning	1

Repair Kits

*	500 6194.1	Kit, elbow pins (includes one each of the items marked with an asterisk)	1
	500 6195.0	Kit, pivot pins (includes one of item 4 and two of item 6)	1

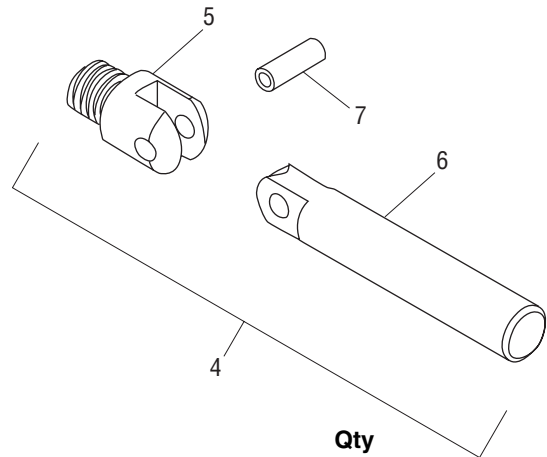
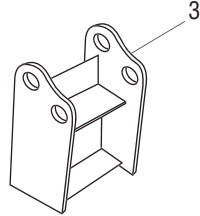
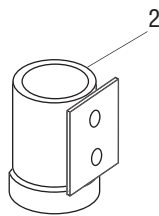
Accessories

Slip-in Couplers



Key	Part No.	Description	Qty
1	500 0804.8	Slip-in coupler for 2-1/2" conduit (EMT, IMC or Rigid)	1
1	500 0811.0	Slip-in coupler for 3" conduit (EMT, IMC or Rigid)	1
1	500 0815.3	Slip-in coupler for 3-1/2" conduit (EMT, IMC or Rigid)	1
1	500 0820.0	Slip-in coupler for 4" conduit (EMT, IMC or Rigid)	1
1	500 0827.7	Slip-in coupler for 5" conduit (EMT, IMC or Rigid)	1

Screw-on Couplers



Key	Part No.	Description	Qty
—	500 0868.4	Screw-on coupler set for 2-1/2", 3", 3-1/2" & 4" conduit (includes items 2, 3, and 4)	
2	500 3661.0	Screw-on coupler for 2" IMC or Rigid only	1
2	500 0781.5	Screw-on coupler for 2-1/2" IMC or Rigid only	1
2	500 0782.3	Screw-on coupler for 3" IMC or Rigid only	1
2	500 0783.1	Screw-on coupler for 3-1/2" IMC or Rigid only	1
2	500 0784.0	Screw-on coupler for 4" IMC or Rigid only	1
3	500 0799.8	Adapter for screw-on IMC or Rigid only	1
4	500 0877.3	Screw assembly (includes items 5, 6 and 7)	2
5	500 0795.5	Screw	1
6	500 0796.3	Handle	1
7	905 2717.8	Roll pin	1

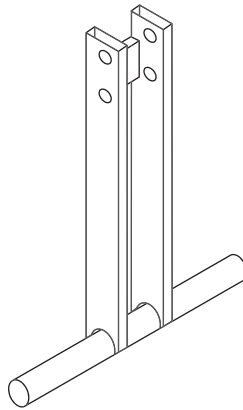
Boom Tubes



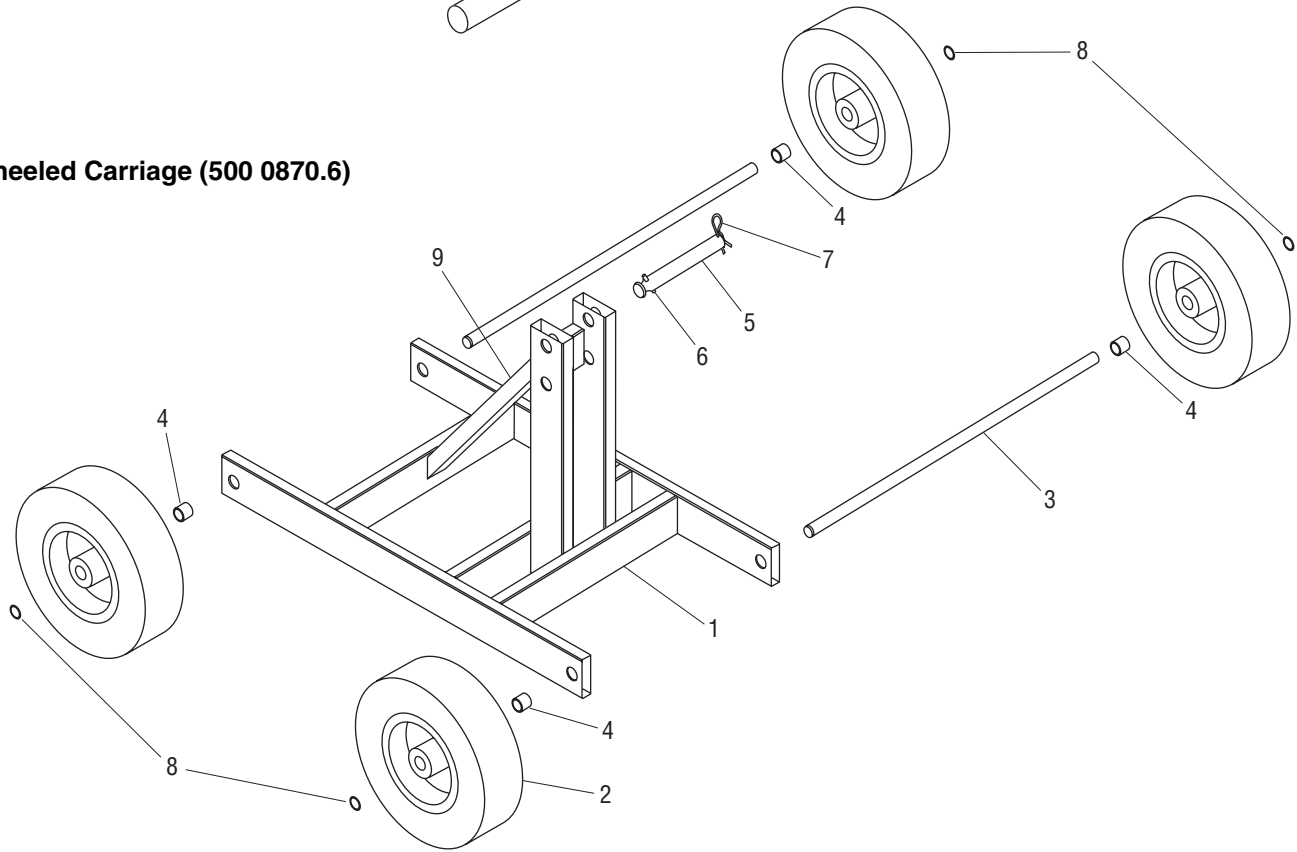
Key	Part No.	Description	Qty
8	500 0835.8	3' Boom tube	1
9	500 0791.2	4' Boom tube	1

Accessories (cont'd)

T-Stand (500 0867.6)



Wheeled Carriage (500 0870.6)



Key	Part No.	Description	Qty
1	500 0770.0	Frame	1
2	905 4839.6	Wheel, 4.10/3.50 – 6 x 3/4 shaft, 3" hub length	4
3	500 0768.8	Axle	2
4	503 2026.2	Spacer, .824 x 1.05 x .750"	4
5*	500 0743.2	Puller pin	2
6*	905 0700.2	Pin, roll, .187 x 1.50"	2
7*	905 0302.3	Clip, hitch pin #8	2
8	905 1528.5	Retaining ring, .750", Truarc #5160-75-S-PP	4
9	500 1063.8	Decal, warning	1

Repair Kit

*	500 6188.7	Kit, puller pin (includes one each of the items marked with an asterisk)	2
---	------------	--	---



GREENLEE®

A Textron Company

USA	800-435-0786	Fax: 800-451-2632
	815-397-7070	Fax: 815-397-1865
Canada	800-435-0786	Fax: 800-524-2853
International	+1-815-397-7070	Fax: +1-815-397-9247

4455 Boeing Drive • Rockford, IL 61109-2988 • USA • 815-397-7070
An ISO 9001 Company • Greenlee Textron Inc. is a subsidiary of Textron Inc.

www.greenlee.com

Printed in USA