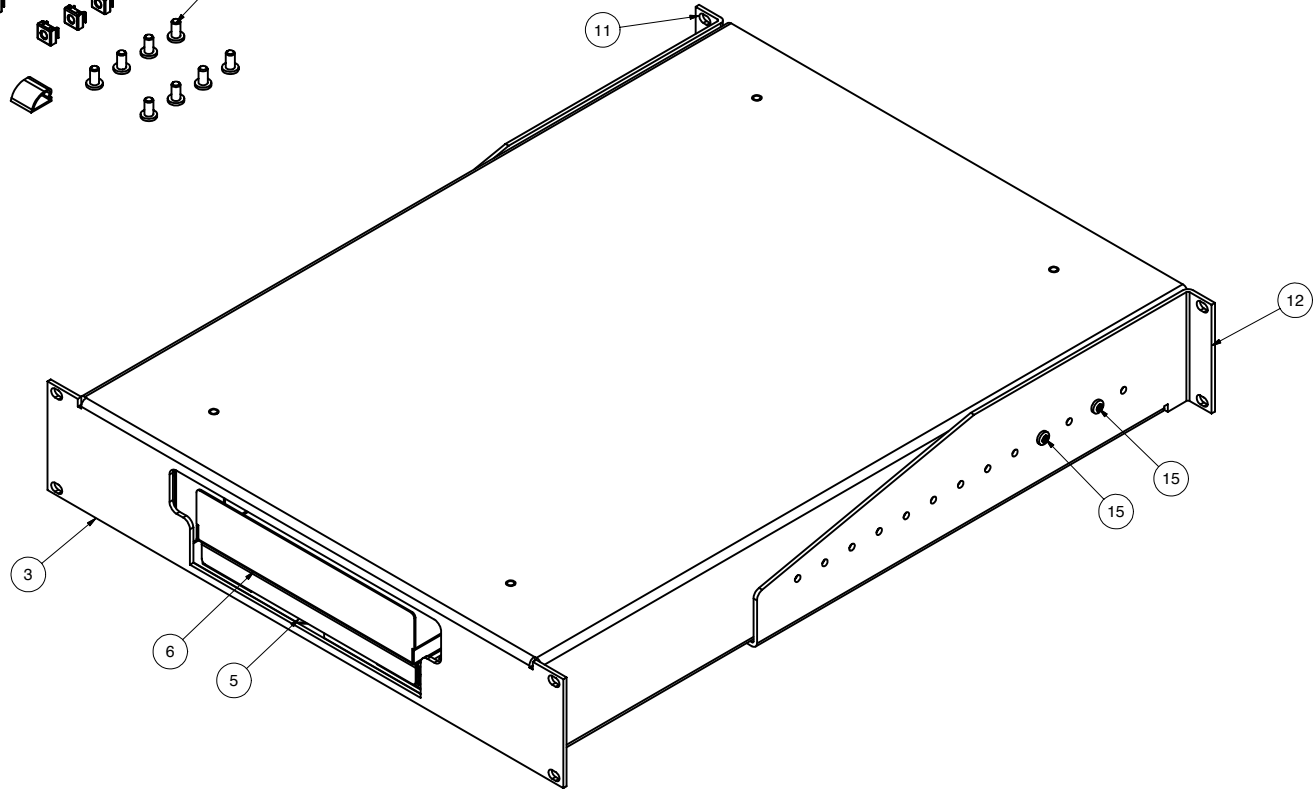
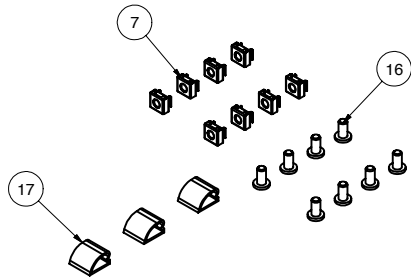


REVISION HISTORY			
REV	DESCRIPTION	DATE	APPROVED
0	ECO-01569	5/17/2005	JL

Bill of Material					
ITEM	PART NUMBER	QTY	DESCRIPTION	FILE NAME	REV
1		1	KB / MOUSE TRAY SUPPORT BRACKET	I002620.iam	1
2	4632-22 Slide	2		4632-22 Slide.iam	
3		1	MONITOR, KB, MOUSE SHELF ALUMINUM DRAWER	I002617.iam	1
4	10/32NUT	4	#10-32 NUT W/ EXTERNAL TOOTH LOCK WASHER	10-32NUT.iam	-
5		1	SLIDEOUT PIVOT TRAY WELDMENT	I002622.iam	1
6		1	PIVOT KEYBOARD TRAY RK5024	I002621.iam	1
7	M6NUT	8	M6 CAGE NUT - ILS #2ZN266246 OR EQUIV.	M6NUT.iam	-
8		12	#8-32 x 1/4"L PAN HEAD PHIL TYPE 23 SCREW, BLACK	SCR832X250BLK.ipt	-
9	12SWS3680	1	MICROPLASTICS SHOULDER WASHER	12SWS3680.ipt	-
10	0501032LCNBLK	1	ACORN NUT, #10-32, BLACK NYLON, LOCKING	0501032LCNBLK.ipt	-
11		1	REAR RIGHT MOUNTING BRACKET, ALUM	I002618.ipt	0
12		1	REAR LEFT MOUNTING BRACKET, ALUM	I002619.ipt	0
13	10/32WING	4	#10-32 WING NUT 2ZN36616	10-32WING.ipt	-
14	9723K11	4	ADHESIVE BACKED BUMPER - McMASTER CARR	9723K11.ipt	-
15	SCR1032X1/2BLK	4	#10-32 x 1/2"L PAN HEAD PHIL TYPE 23, BLACK	SCR1032X500BLK.ipt	-
16	M6SCREW	8	M6 x 12mm PAN HEAD ZN PL SCREW	M6SCREW.ipt	-
17	025-0500	3	DEKLIP SERIES 025 SHELL CLIP (DEK / TYCO)	025-0500.ipt	-

**HARDWARE PACK TO INCLUDE:**

- (8) M6 CAGE NUT (ITEM #9)
- (8) M6 SCREW (ITEM #10)
- (3) WIRE RETAINING CLIP (ITEM #11)



**SHELF SPECIFICATIONS:**

- A) Shelf Dimensions: 3.0"H x 17.5"W x 24.0"D
- B) Rack Mounting: 19" EIA
- C) Weight Capacity: 200 lbs.
- D) Standard Tab Placement: 24"
- E) Maximum Tab Placement: 36.77"
- F) Gauge: .125 Aluminum/Powder Coat, Black Texture

INTERPRET DRAWING PER ASME Y14.5M-1994  
 DIMENSIONAL LIMITS APPLY  
 AFTER APPLICATION OF FINISH

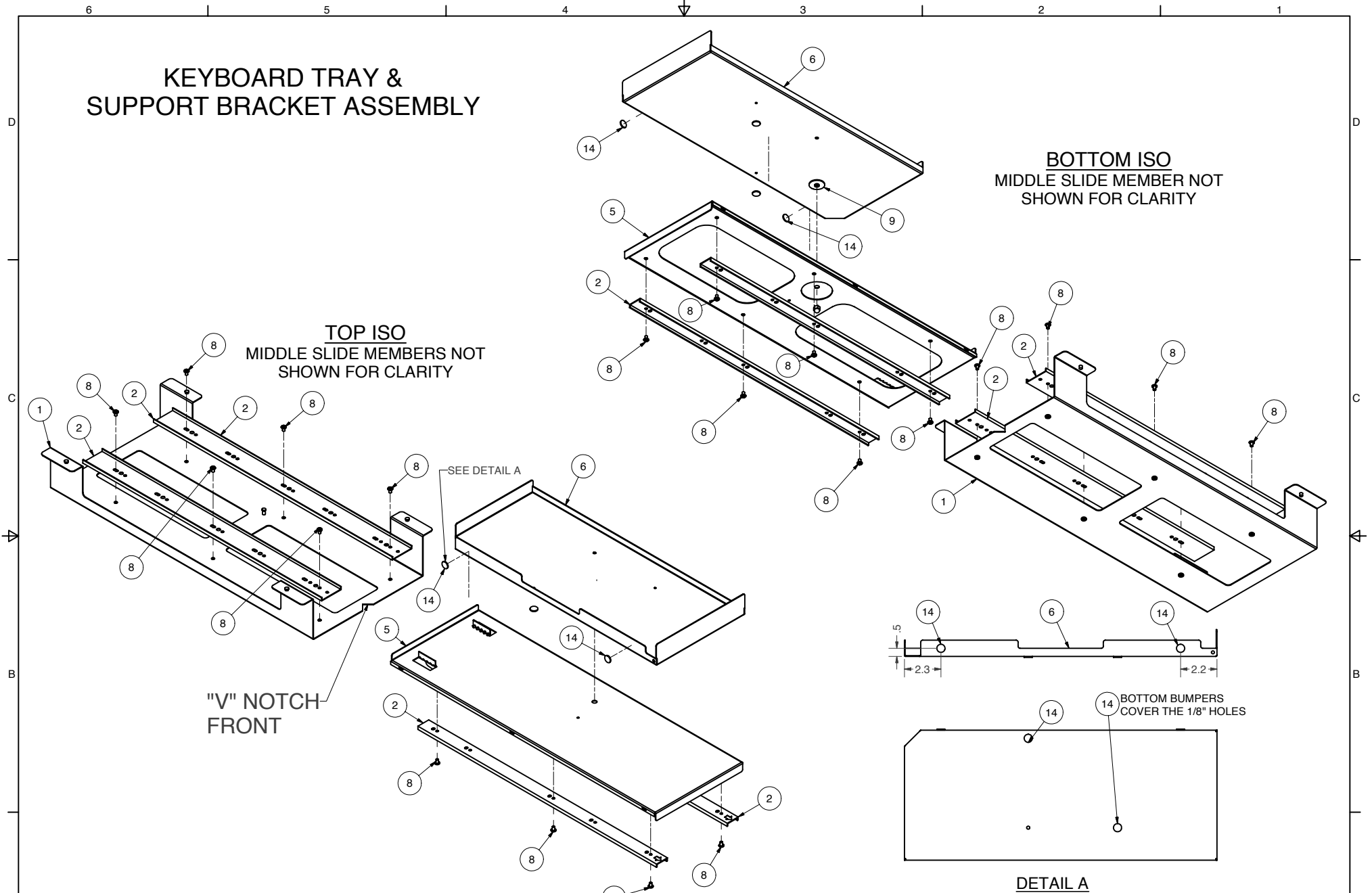
**NOTICE:**

Use of this document is subject to

PART NUMBER:  
**7206MKM**  
 QTY PER UNIT: 1

TITLE  
**MONITOR, KEYBOARD, & MOUSE 19" SHELF  
 ASSEMBLY**

# KEYBOARD TRAY & SUPPORT BRACKET ASSEMBLY

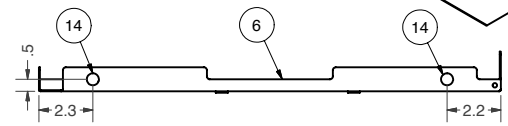


**TOP ISO**  
MIDDLE SLIDE MEMBERS NOT SHOWN FOR CLARITY

**BOTTOM ISO**  
MIDDLE SLIDE MEMBER NOT SHOWN FOR CLARITY

"V" NOTCH FRONT

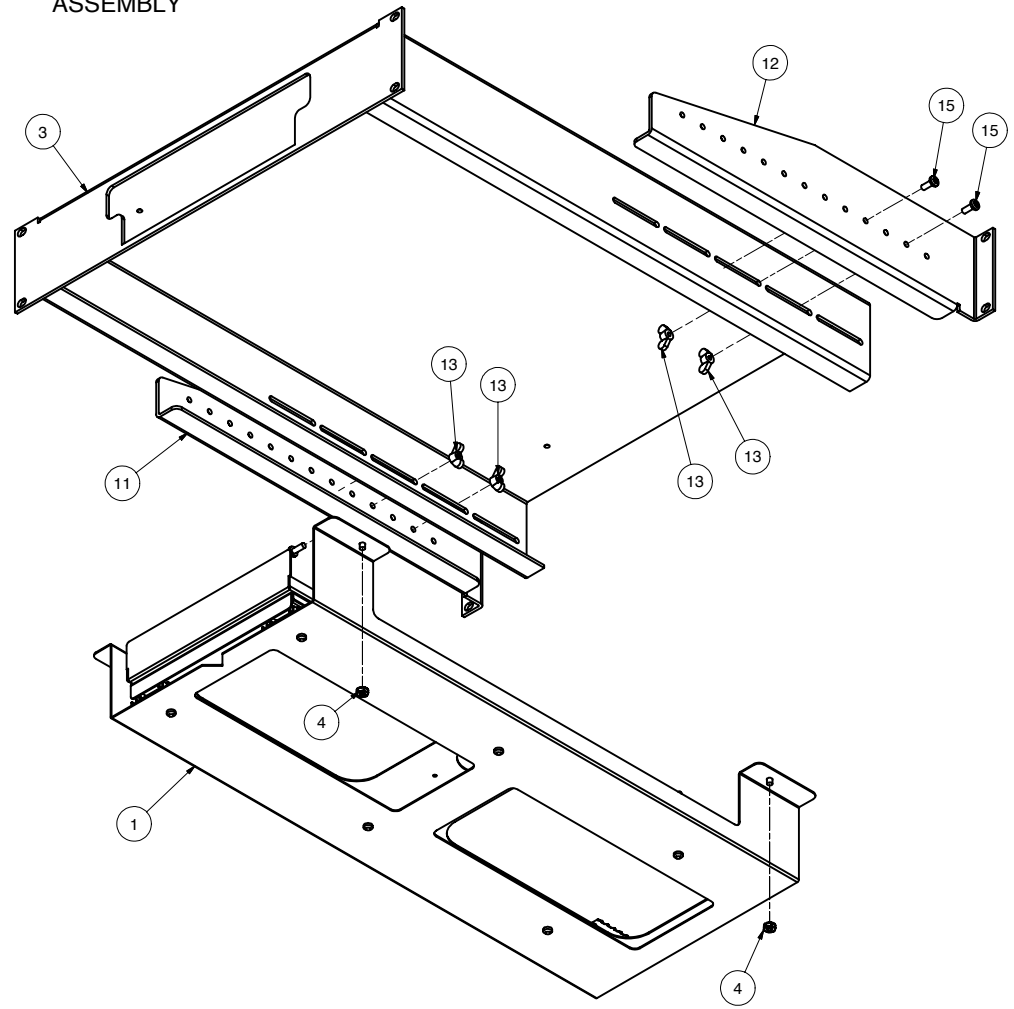
SEE DETAIL A



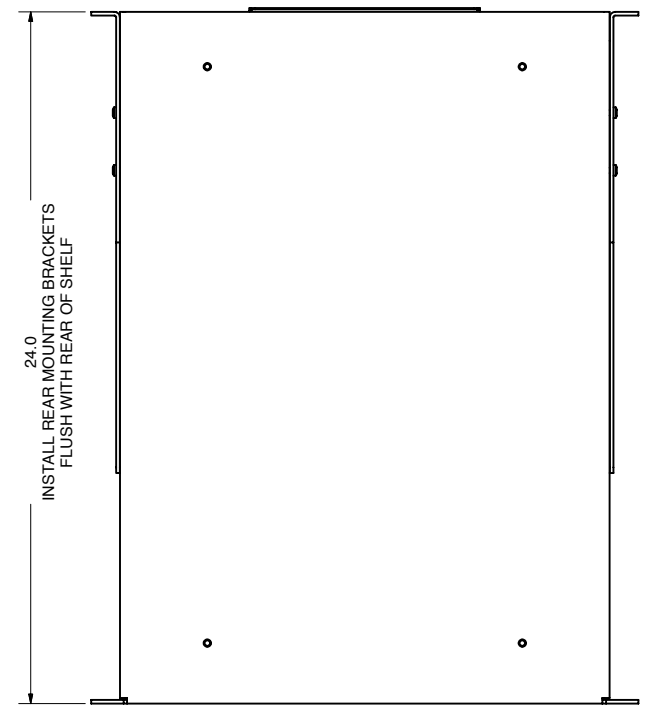
BOTTOM BUMPERS COVER THE 1/8" HOLES

**DETAIL A**  
BUMPER PLACEMENT

**BOTTOM ISO**  
DRAWER &  
MOUNTING BRACKET  
ASSEMBLY



**TOP VIEW**



FRONT

