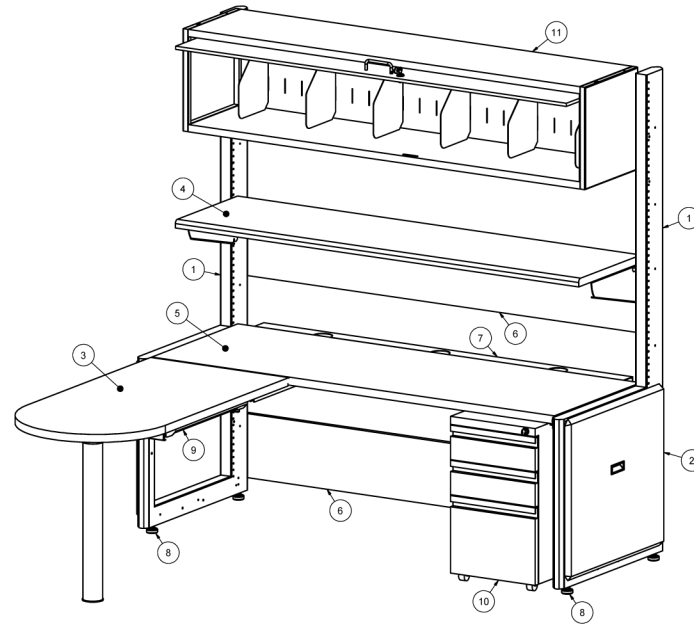
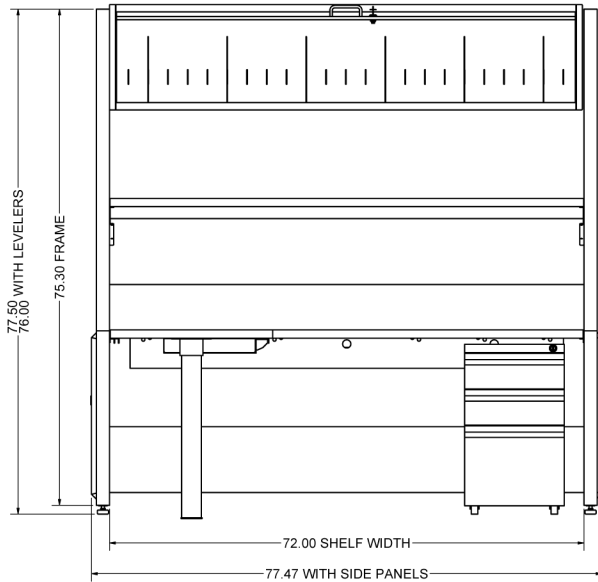
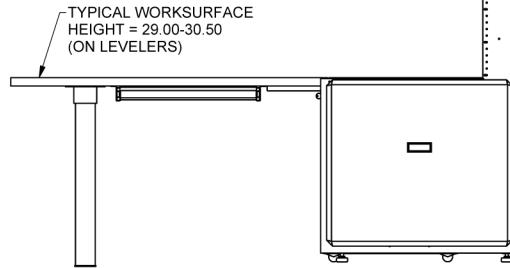
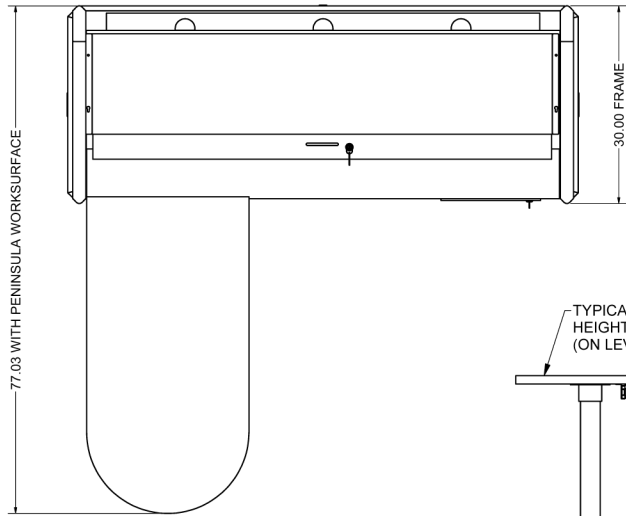


ADVANTAGE Professional



Bill of Material			
ITEM	PART NUMBER	QTY	DESCRIPTION
1	2001-DF	2	FRAME, "0" COMPLETE (75.3"H)
2	2010-HFE	2	EXTERIOR SIDE PANEL FOR HALF HD FRAME UPRIGHT
3	2226-PW	1	PENINSULA WORK SURFACE ASSEMBLY
4	2272-CNT	1	71.88"W x 18.00"D CANTILEVERED SOLID SHELF
5	2272-LA	1	71.75"W x 25.50"D FOUR POINT LAMINATED WORK SURFACE
6	2372	2	BRACE & COVER, 72" COMPLETE
7	2472-HCM	1	5.50"H x 65.75"W x 2.25"D HORIZ. CABLE MGMT. TRAY
8	2509	2	TWO ADJUSTABLE LEVELERS
9	2535-PD	1	PENCIL DRAWER, 20.75"W x 15.00"D
10	2565	1	LOCKABLE THREE DRAWER UNIT ON CASTERS
11	2572-SC	1	72"W LOCKABLE OVERHEAD STORAGE COMPARTMENT