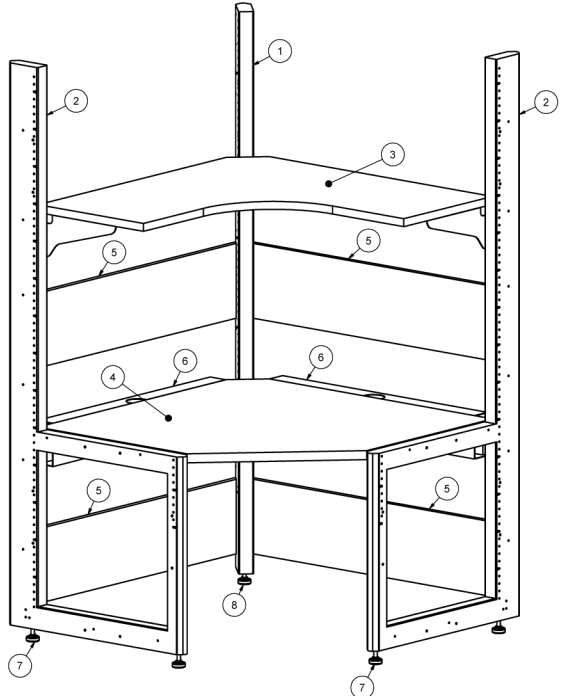
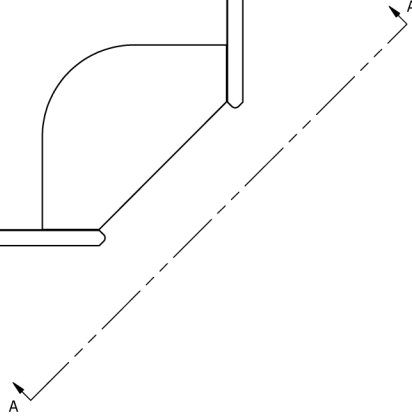
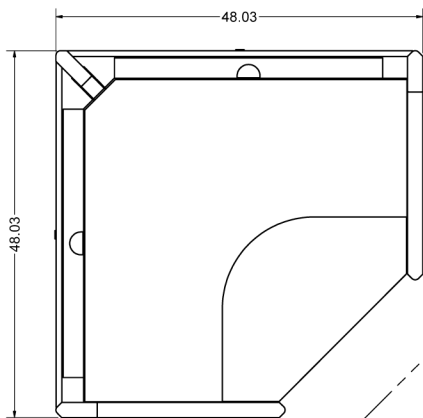
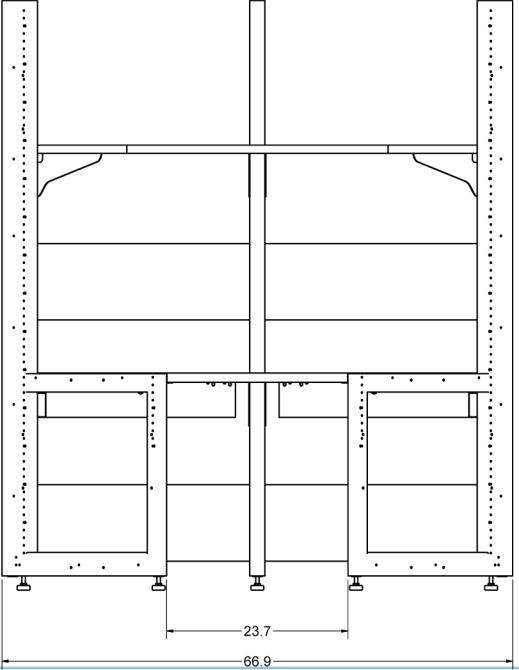
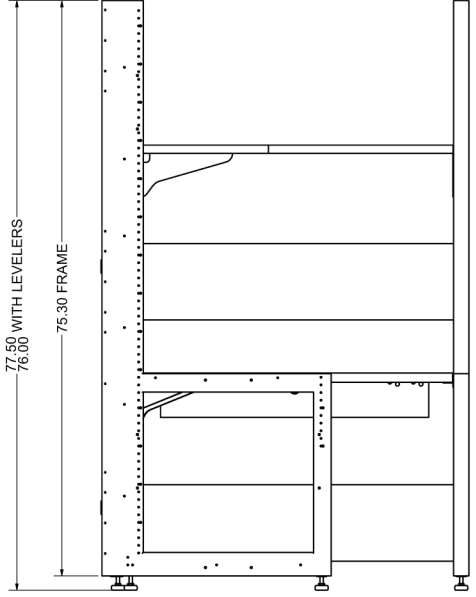




ADVANTAGE Corner



SECTION A-A
(ROTATED FOR CLARITY)



Bill of Material			
ITEM	PART NUMBER	QTY	DESCRIPTION
1	2001-CF	1	CENTER FRAME
2	2001-DF	2	FRAME, "d" COMPLETE (75.3"H)
3	2248-CNT	1	CANTILEVERED LAMINATED CORNER SHELF
4	2248-LA	1	FIVE POINT LAMINATED CORNER SHELF
5	2349	4	BRACE FOR 2248 CORNER
6	2448-HCM	2	5.50"H x 35.13.75"W x 2.25"D HORIZ. CABLE MGMT. TRAY
7	2509	2	TWO ADJUSTABLE LEVELERS
8	2509-1	1	SINGLE LEVELER (CORNER)