

# Wall-Mountable Slack Storage Housings (WCH-SSH)

A LANscape® Solutions Product

Corning  
Cable Systems

## Applications

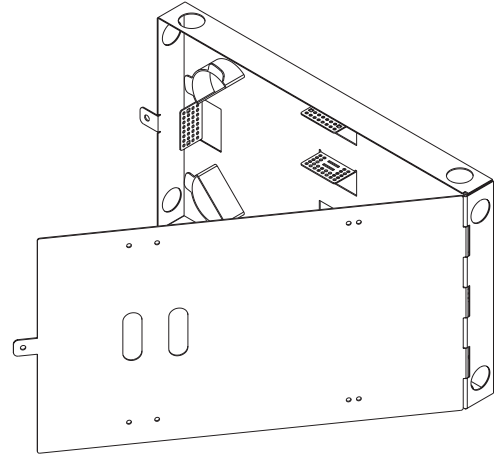
- Wall-mountable unit for storage of slack during initial installation or for future cable re-arrangement
- Unit may be used if additional splice capacity is required
- Unit has the capability to mount a WCH on front door

## Description

Corning Cable Systems offers the wall-mountable slack storage housing (WCH-SSH) as a companion to the wall-mountable connector housing (WCH). The WCH-SSH is a wall-mountable unit ideally suited for the storage of cable slack; it permits the drop-off of fibers to be terminated in a WCH that can be mounted to the front of the unit. The WCH-SSH can also be used for the splicing of pigtailed cables.

## Features / Benefits

- Compact size, low profile
- Accommodates a wall-mountable connector housing (WCH)
- Accommodates a variety of Corning Cable Systems splice trays
- Multiple cable entry holes (top and sides)
- Includes provisions for strain-relieving optical fiber cables
- Unit can be rotated on the wall when mounting so the door swings to either the left or right



Wall-Mountable Slack Storage Housing (WCH-SSH-4-12)

| Drawing CPC 220/5/50

# Wall-Mountable Slack Storage Housings (WCH-SSH)

A LANscape® Solutions Product

Corning  
Cable Systems

## Specifications

Part Number	Dimensions (H x W x D) cm (in)	Shipping Weight kg (lb)
WCH-SSH-2	23.5 x 33.2 x 4.95 (9.25 x 13.06 x 1.95)	2.3 (5)
WCH-SSH-4-12	34.3 x 57.2 x 4.95 (13.5 x 22.5 x 1.95)	5.5 (12)

## Ordering Information

Part Number	Description
WCH-SSH-2	Slack Storage Housing; accepts up to four 0.2-in-thick (Type 2R) or two 0.4-in (Type 4R) splice trays; accommodates a WCH-02P on its front door
WCH-SSH-4-12	Slack Storage Housing; accepts up to eight 0.2-in-thick (Type 2R, 2S or 2M) or four 0.4-in (Type 4S, 4R or 4A) splice trays; accommodates a WCH-04P, WCH-06P or WCH-12P on its front door

*All Corning Cable Systems splice trays and Wall-Mountable Connector Housings (WCHs) are sold separately.*