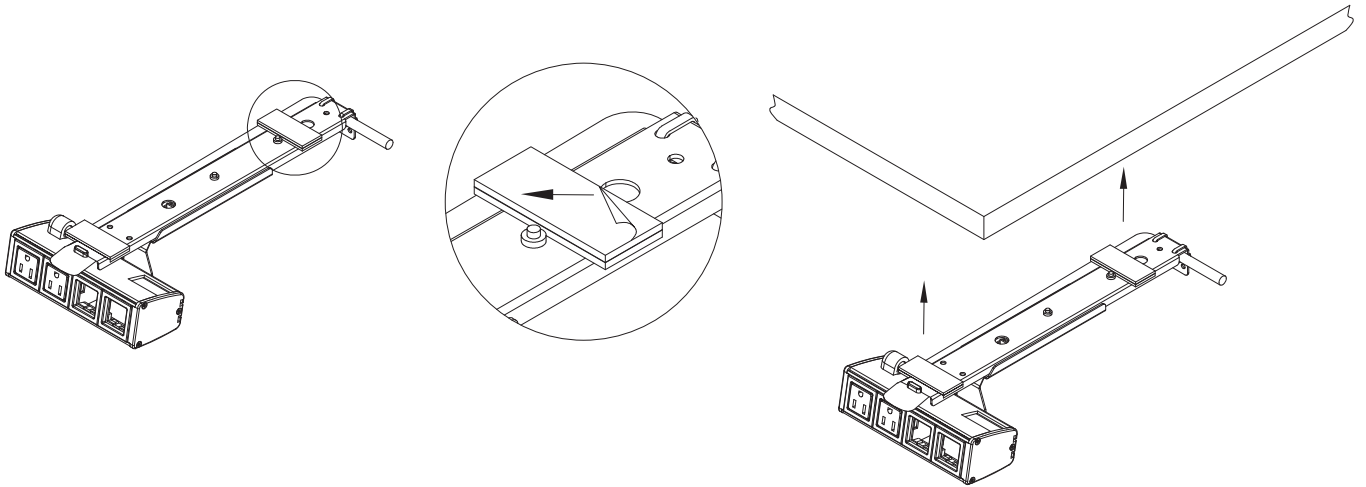




INSTALLATION INSTRUCTIONS FOR BYRNE ASSEMBLE REVEAL

Install data jacks as described in the installation instructions provided with the data adapters, BE01421



With unit fully extended, attach data cables to the power cord or top channel

